



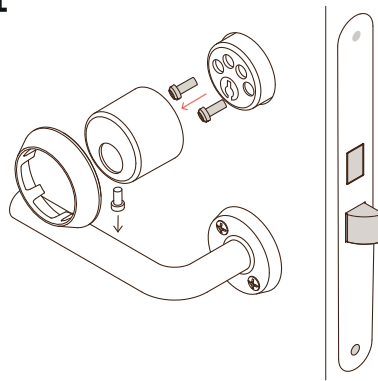
D-Plate Installation

If your existing door lock has a key cylinder on the inside of the door, you will need to use a D-plate to fit one of the three tail pieces in place of your cylinder, to mount the Glue Lock.

Use these instructions to guide you on how to complete this step, referring to the original instructions in the Glue Lock box to complete the rest of the installation.

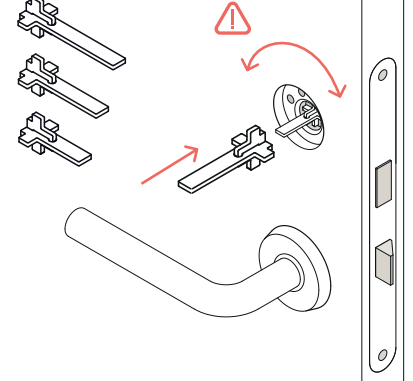
Step 1: For key cylinder remove cover and key cylinder. Keep these screws as you will use them later, if they are long enough.

1

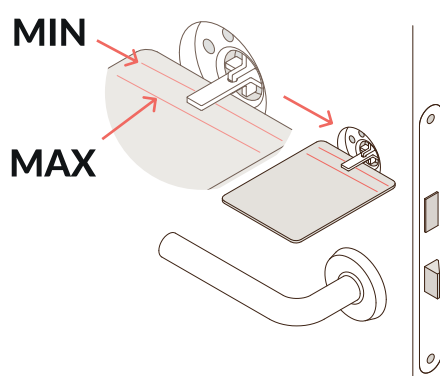


Step 2: Insert one of the tail pieces supplied in the pack into the cylinder. **DO NOT ROTATE THE LOCK OR TAIL PIECE**

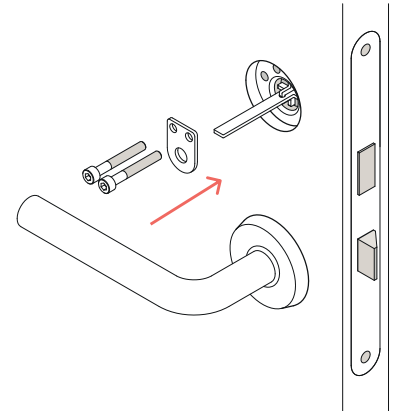
2



3



4



Step 3: Using the guide, measure the tail piece inserted into the cylinder, the end should sit between the **MAX** and **MIN** lines. If it is too long or too short, swap the tail piece for one of the others provided until you achieve the correct length.

Step 4: Once you have selected a tail piece of the correct length, place it back into the cylinder and screw in the D-plate in this pack using the two screws provided.