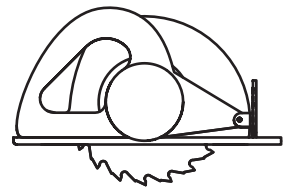
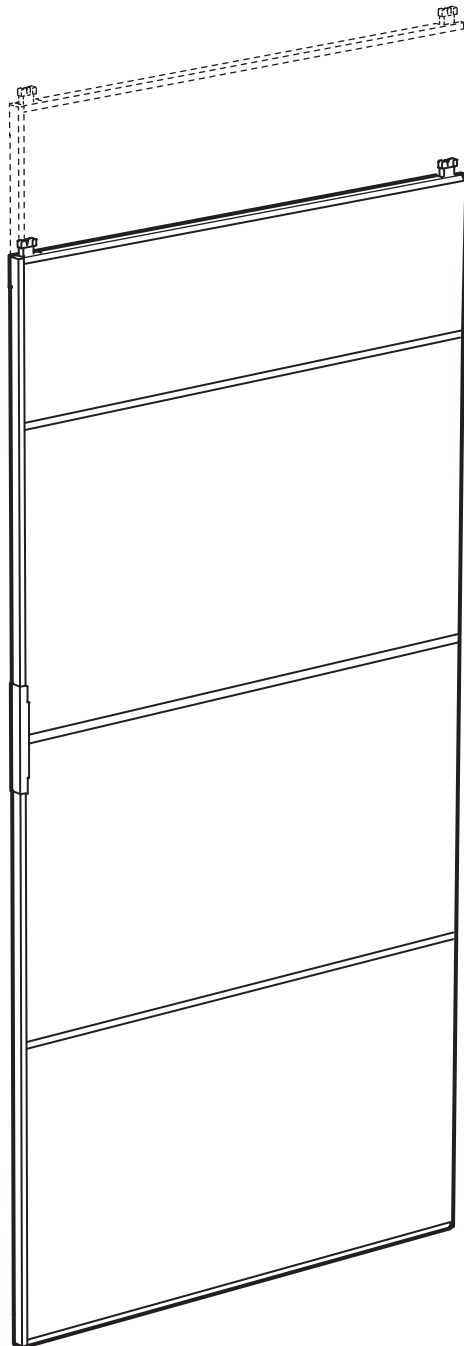
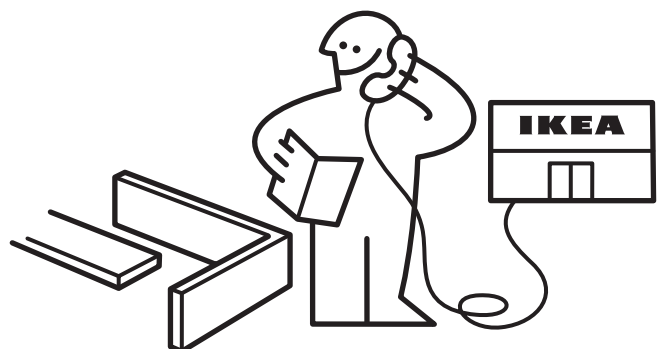
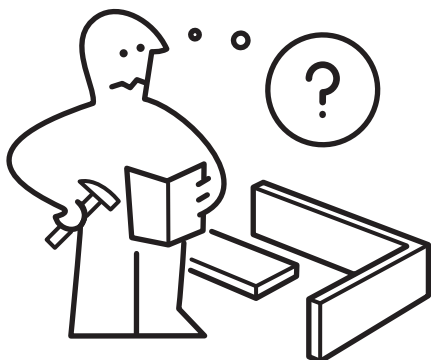
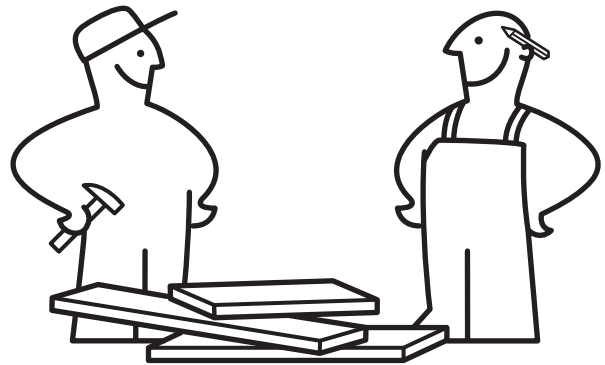
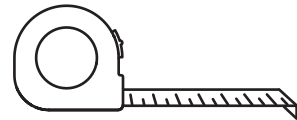
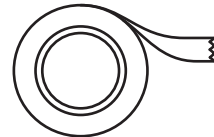
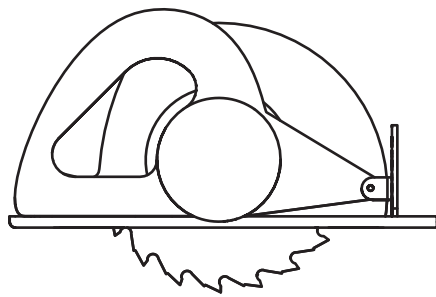
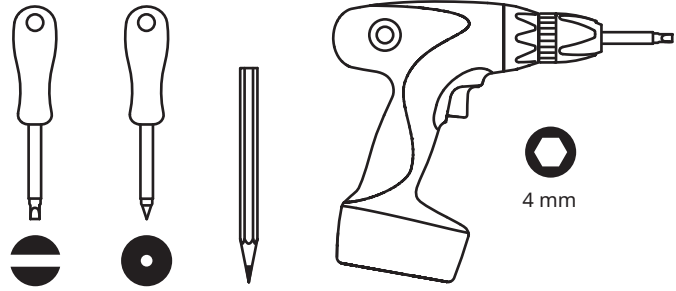


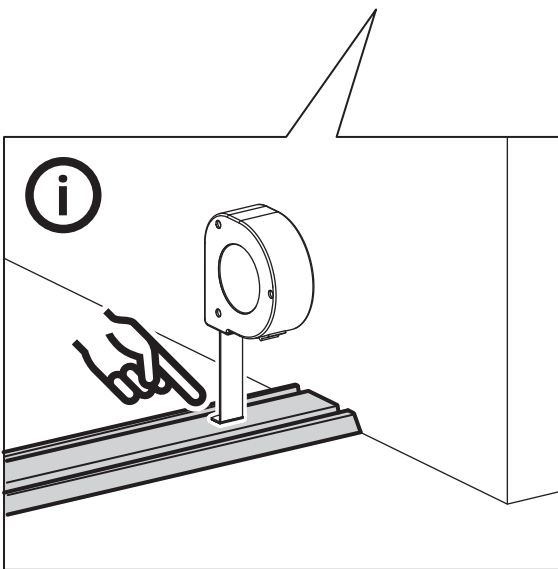
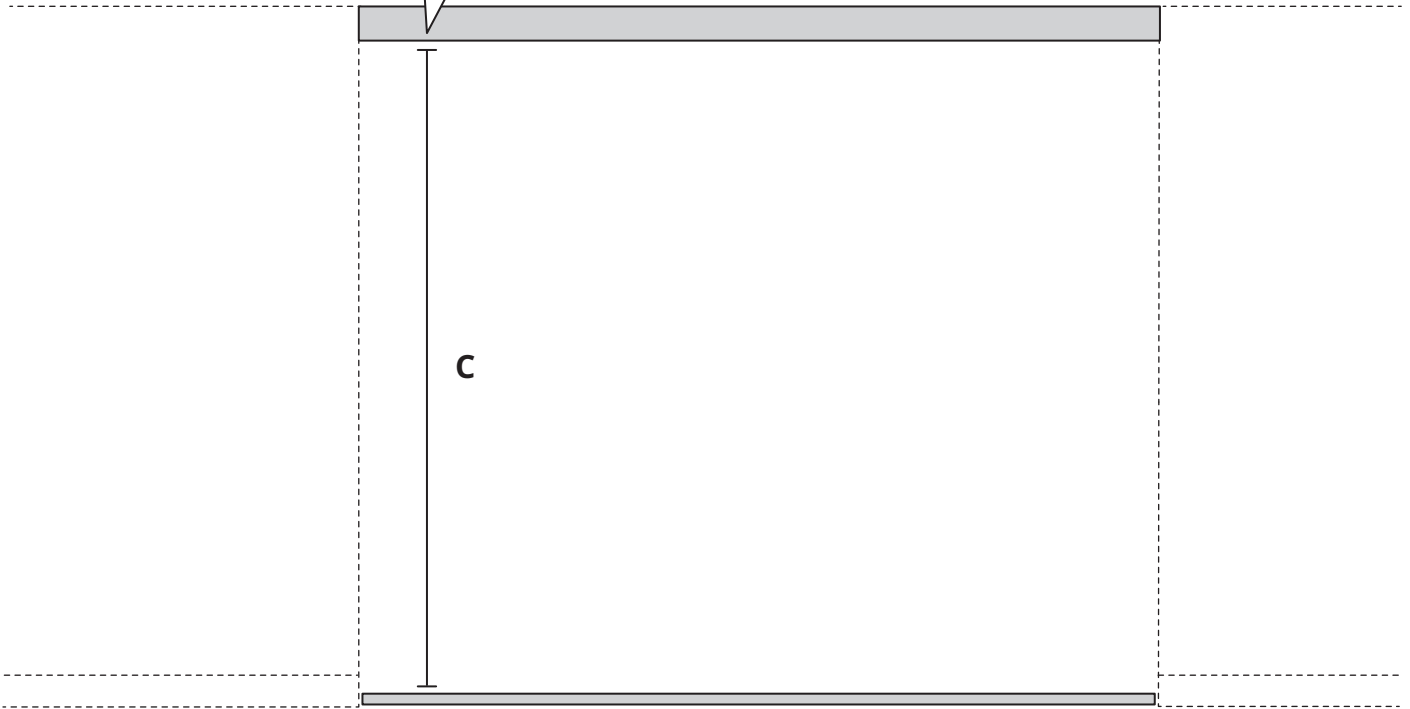
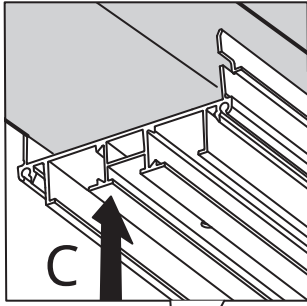
# SKYTTA



Design and Quality  
IKEA of Sweden



1

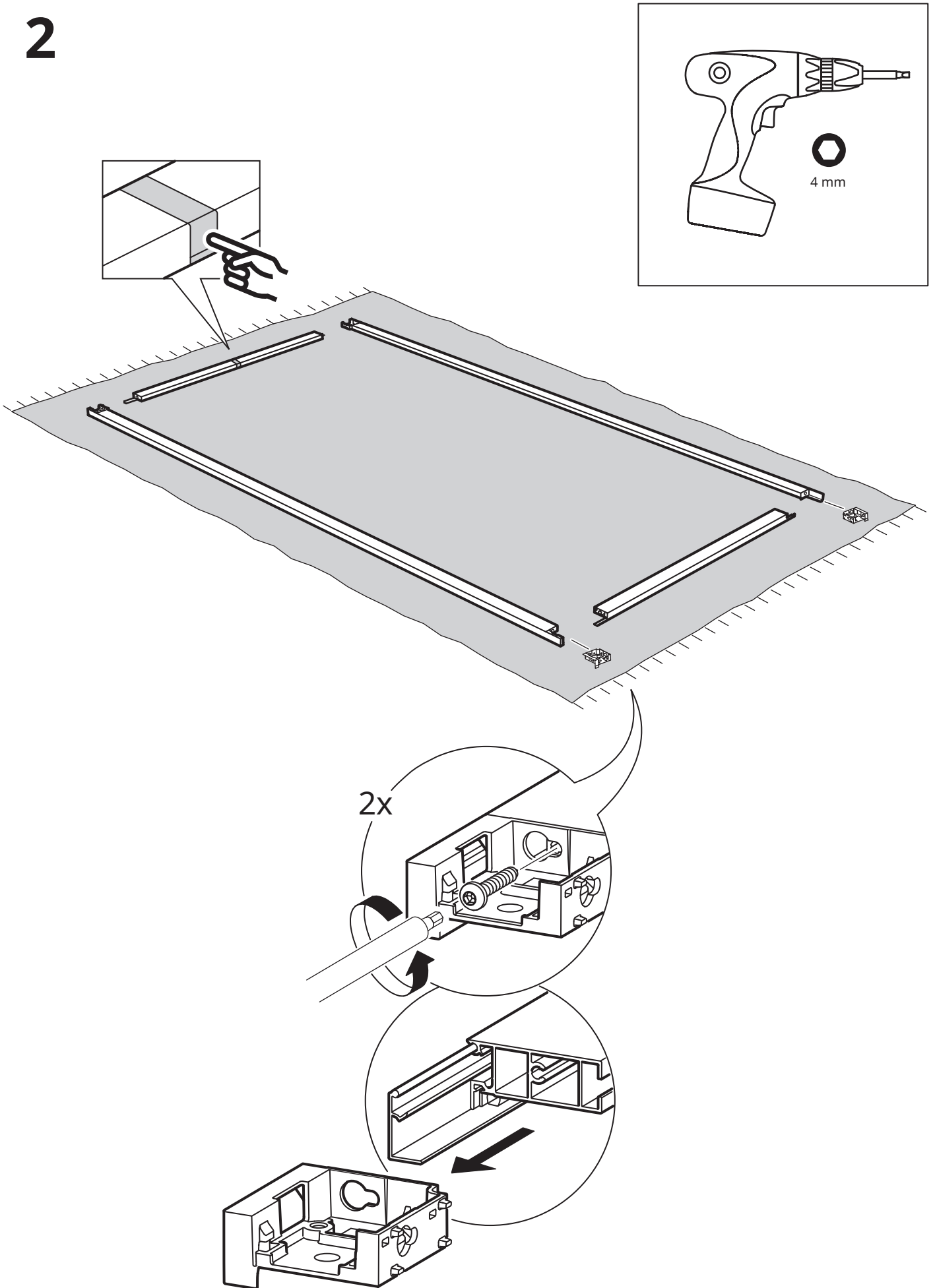


X = \_\_\_\_\_ mm

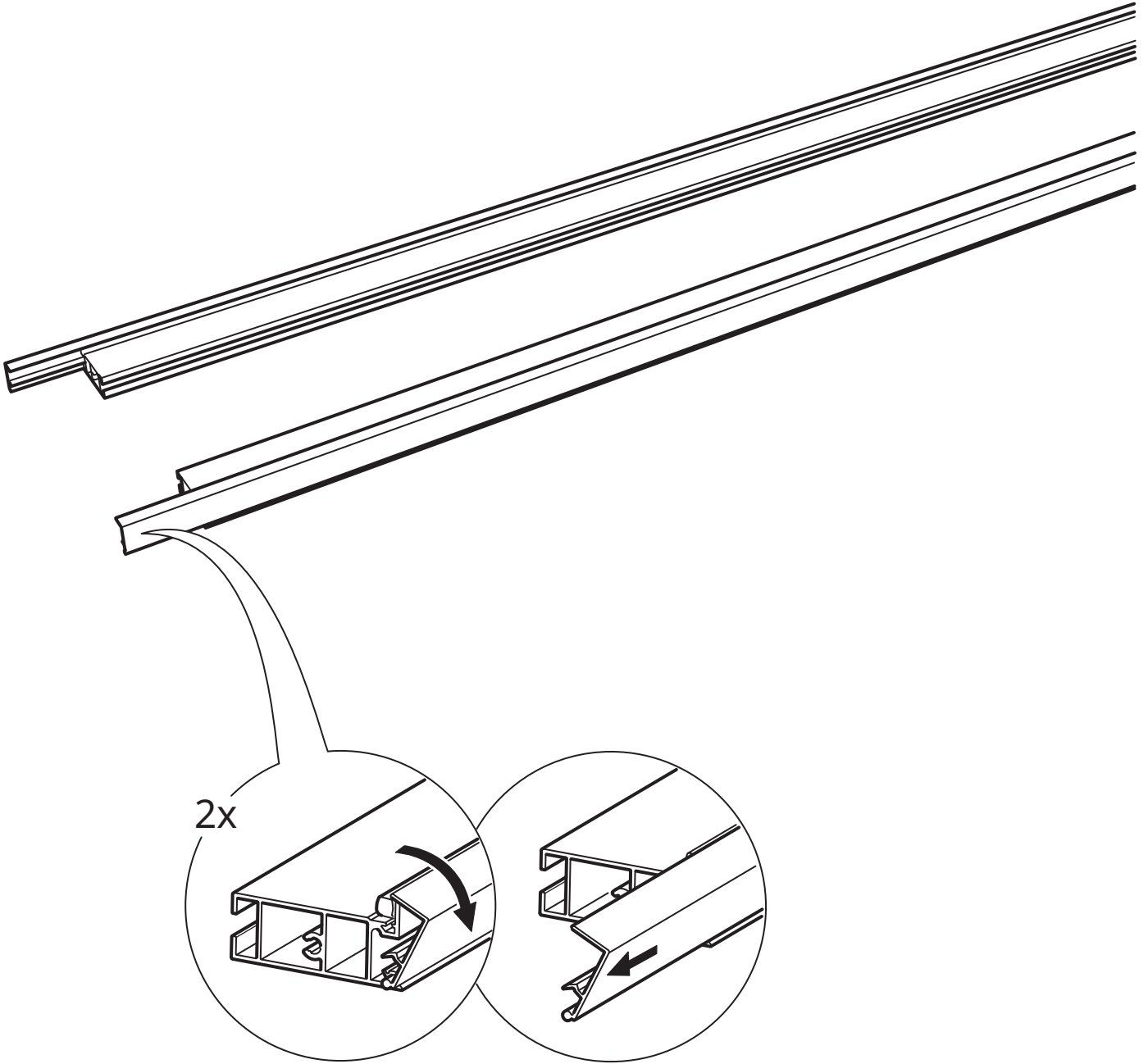
	1987 mm - C = X
--	-----------------

	2339 mm - C = X
--	-----------------

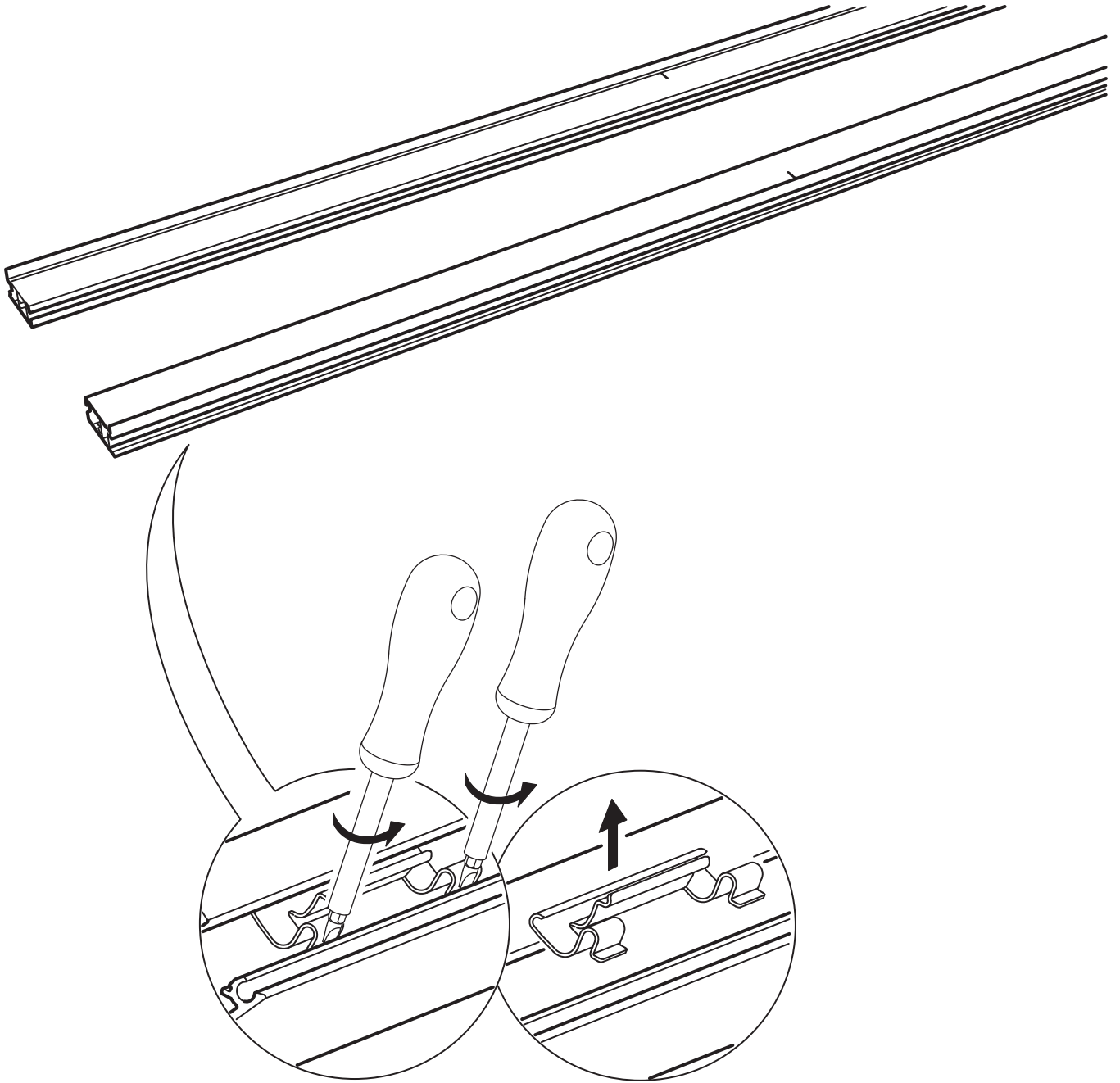
2



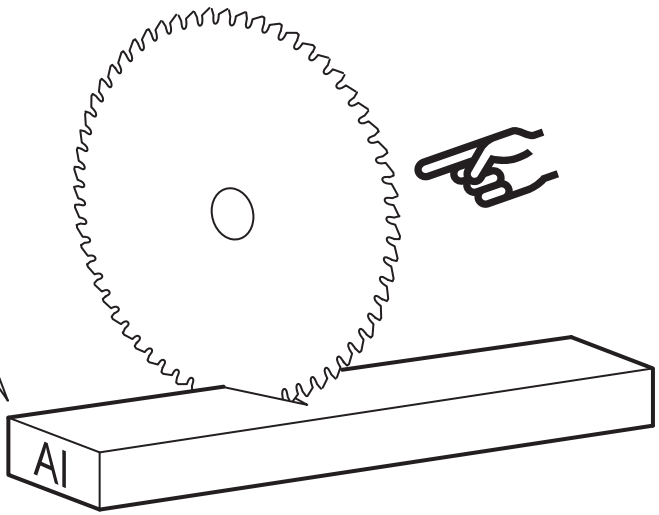
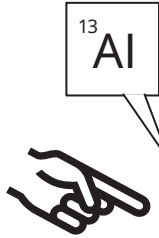
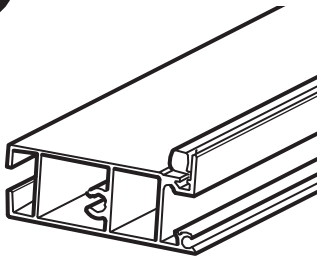
3



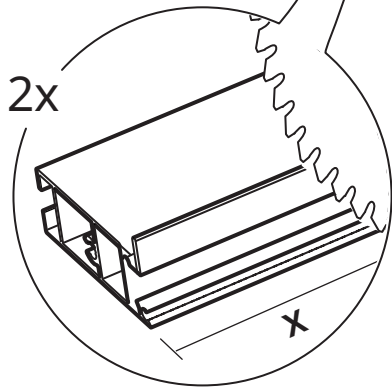
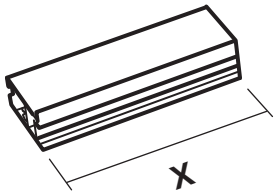
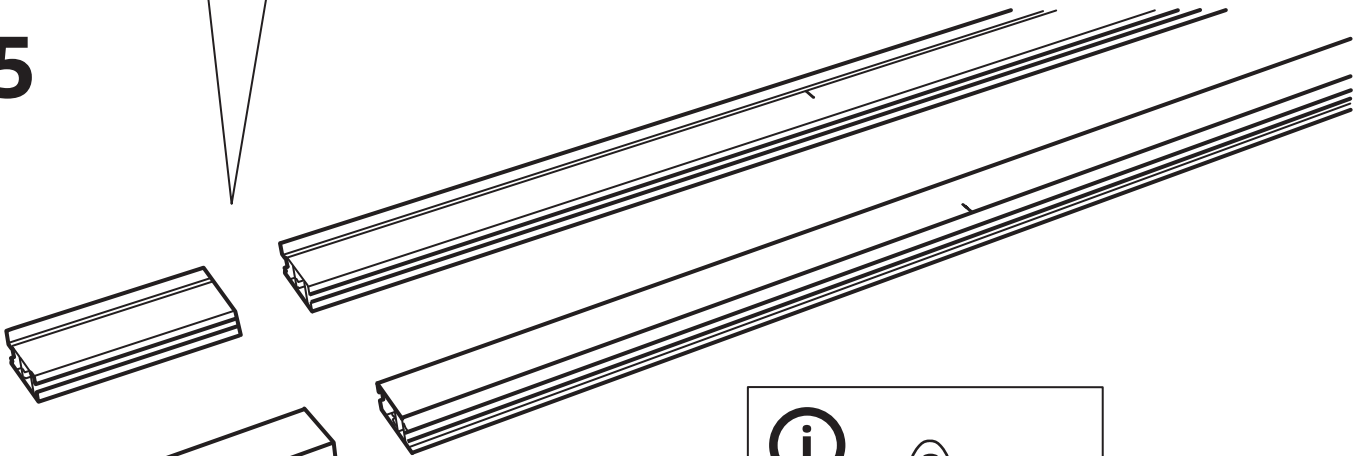
4



i



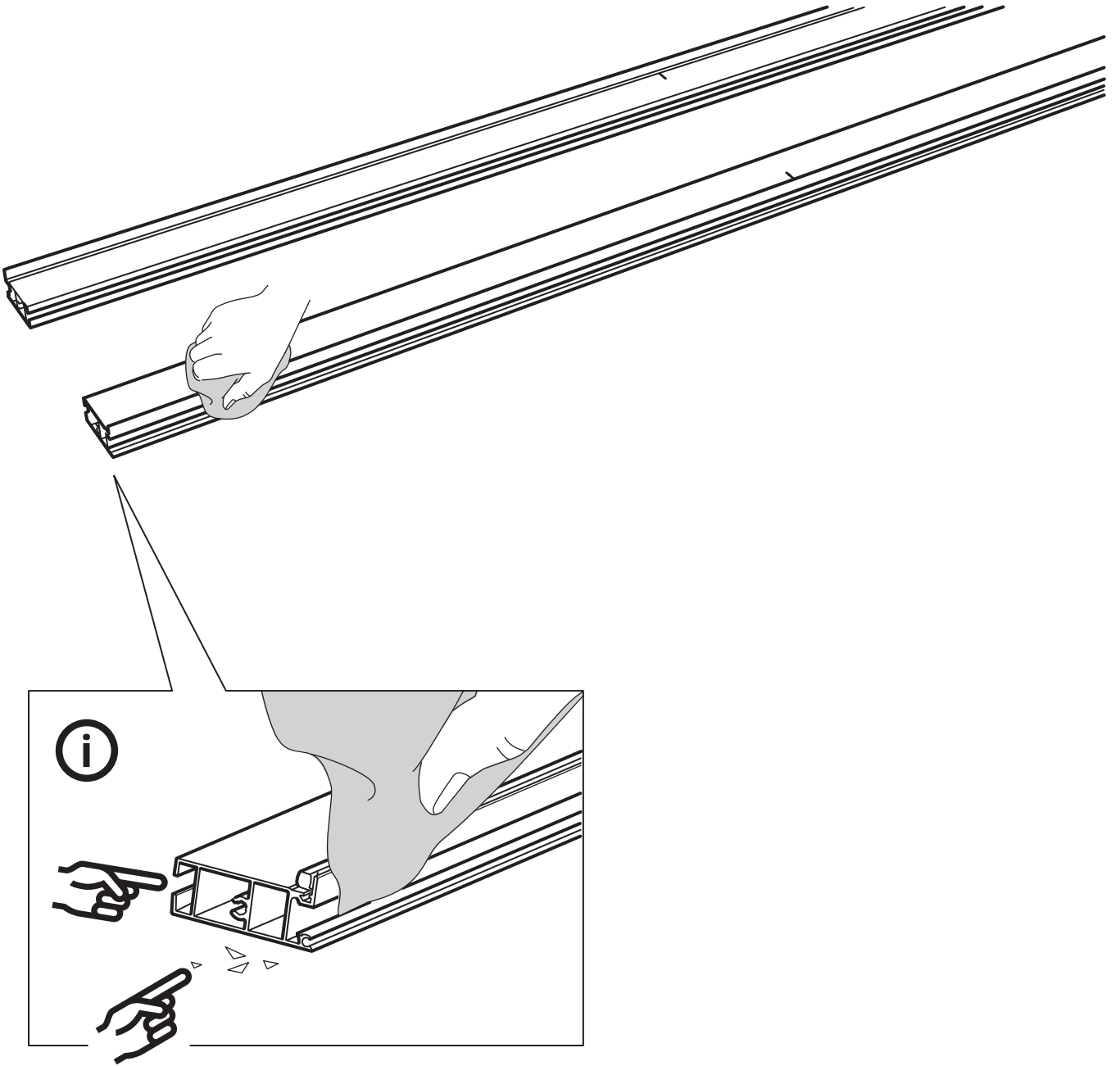
5



i

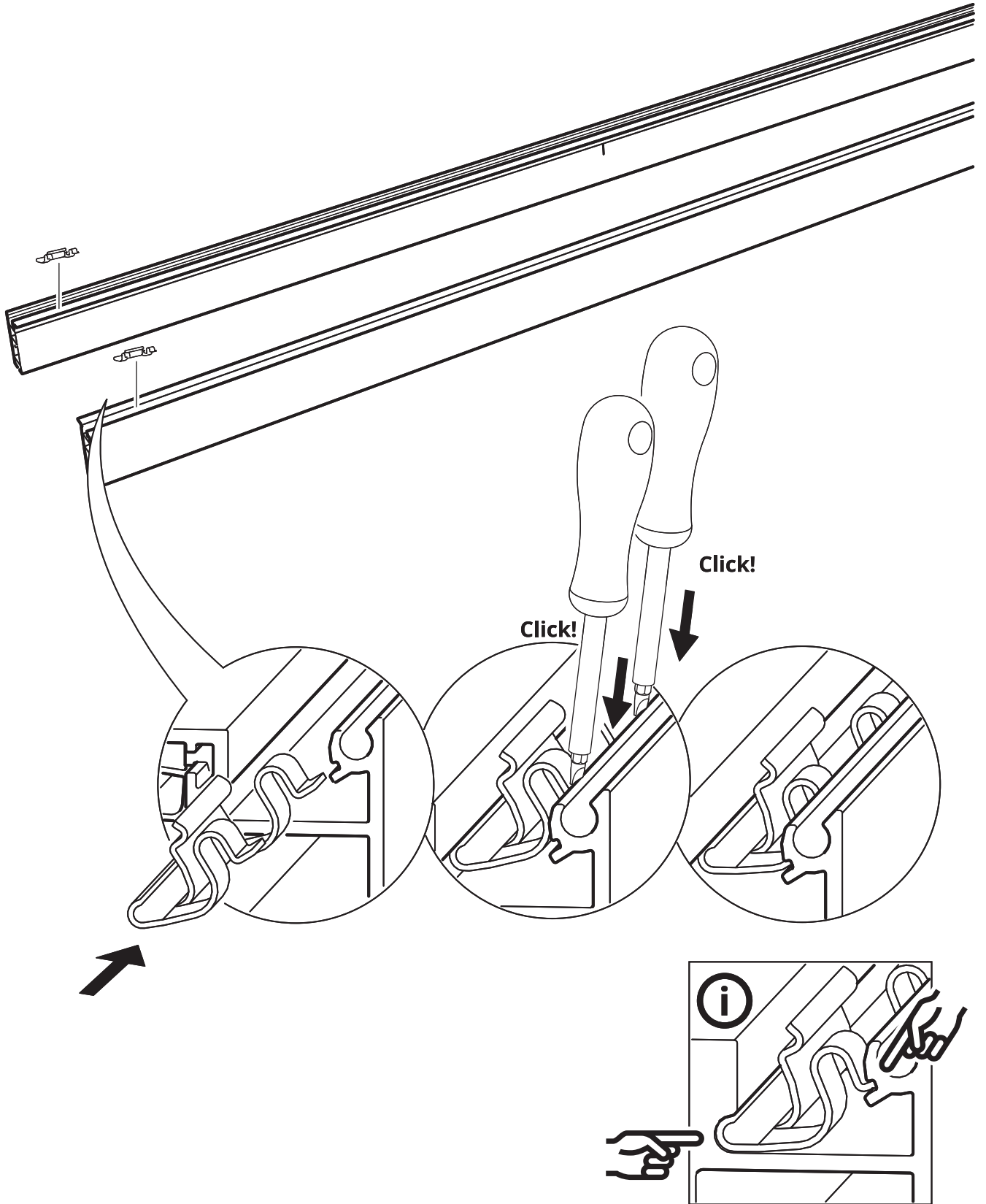


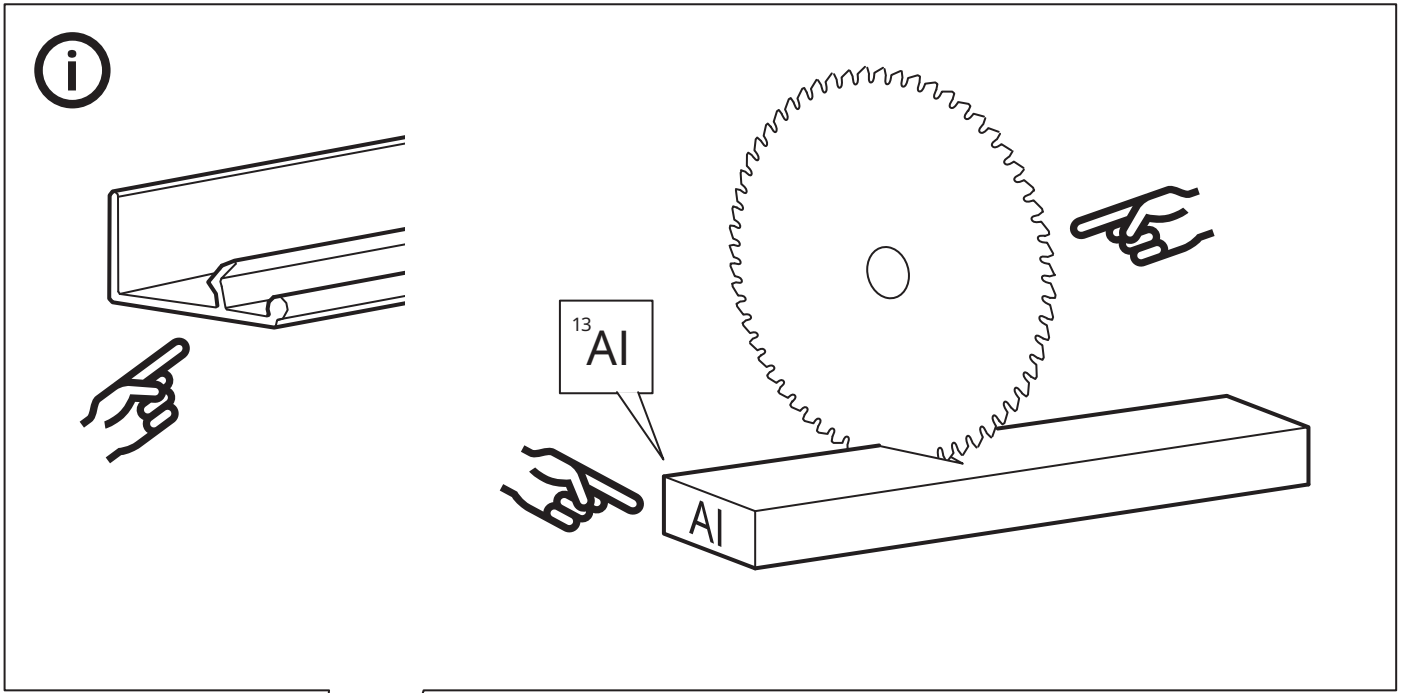
6



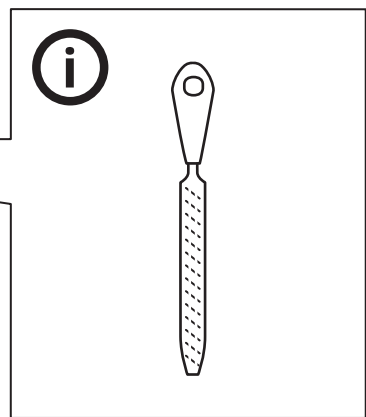
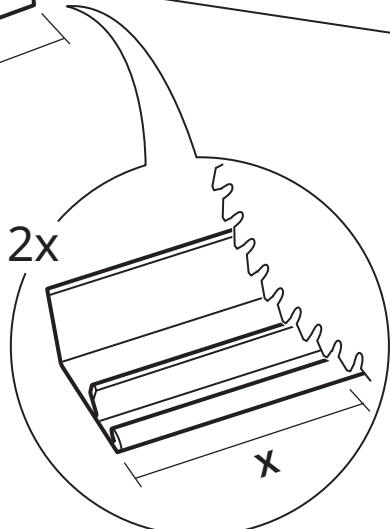
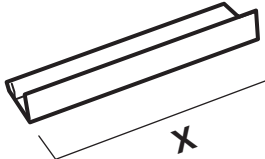
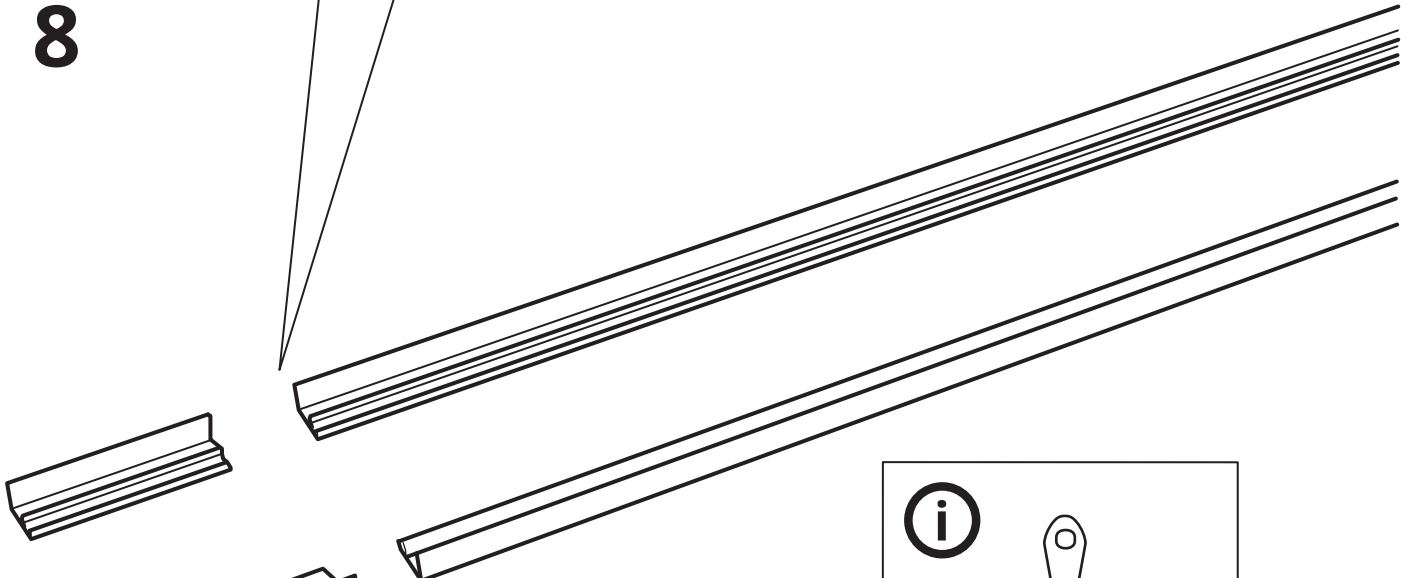


7

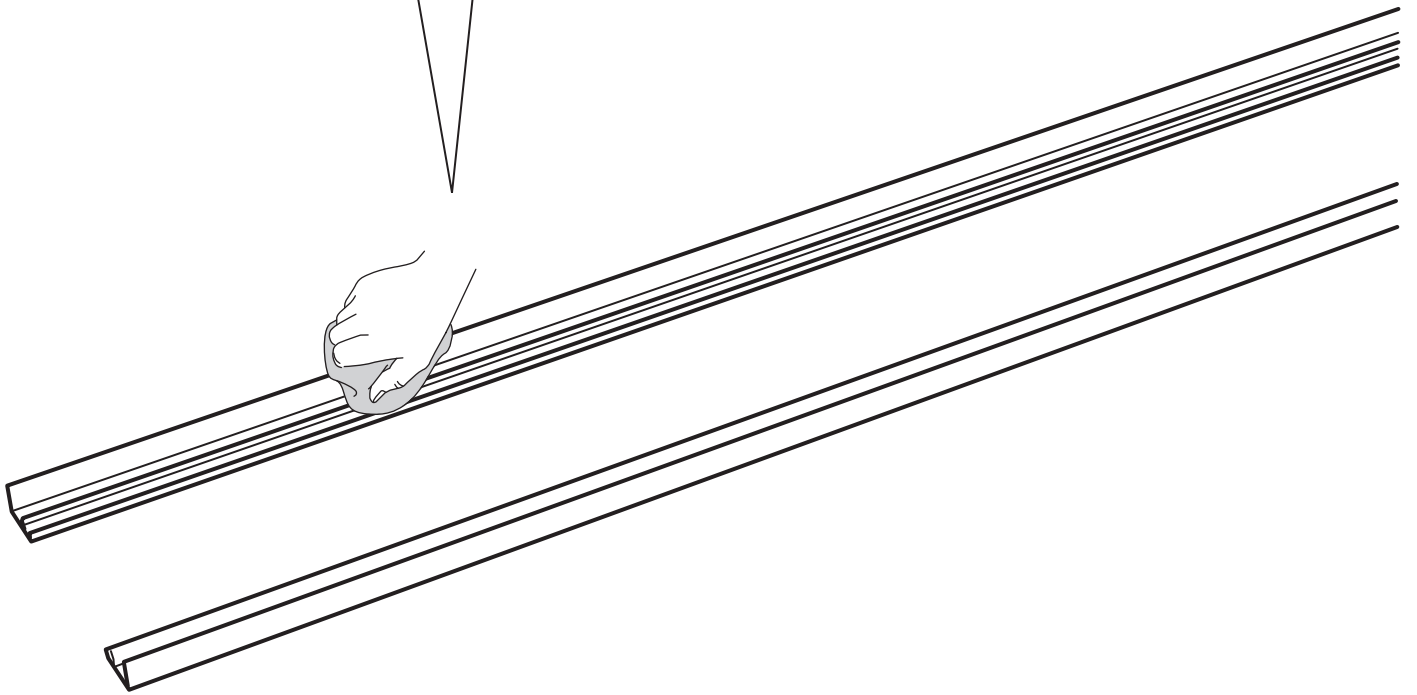
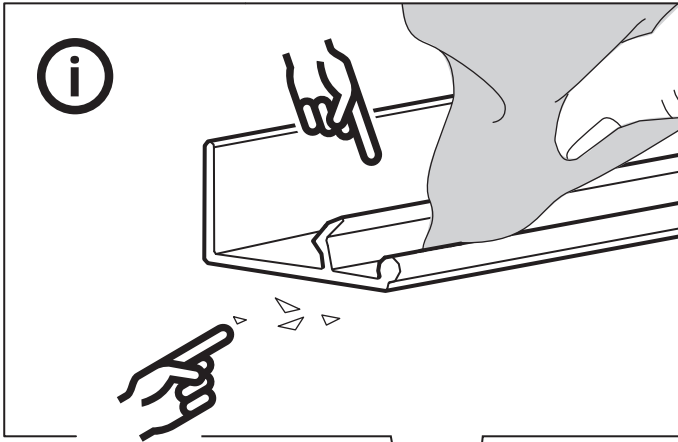




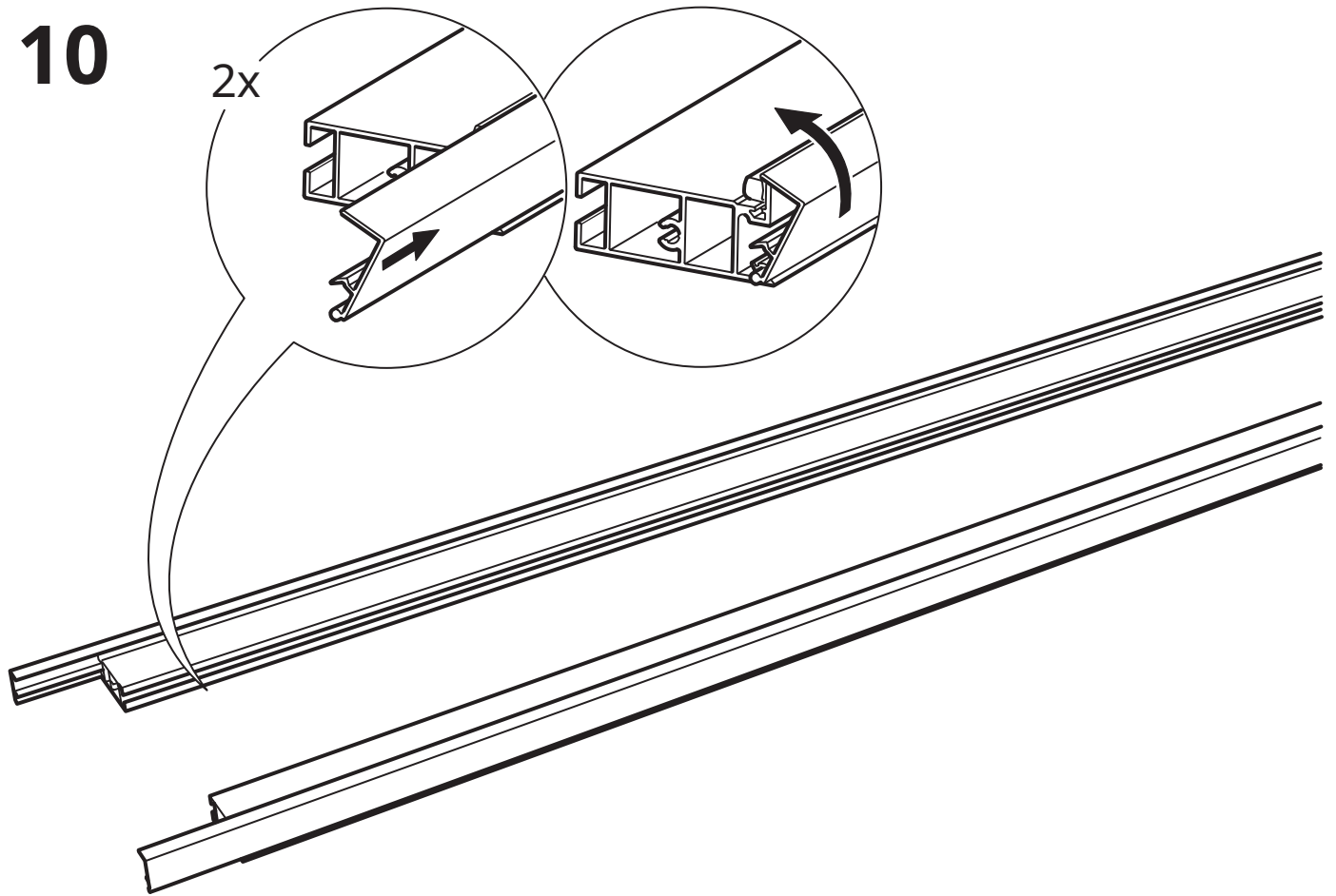
**8**



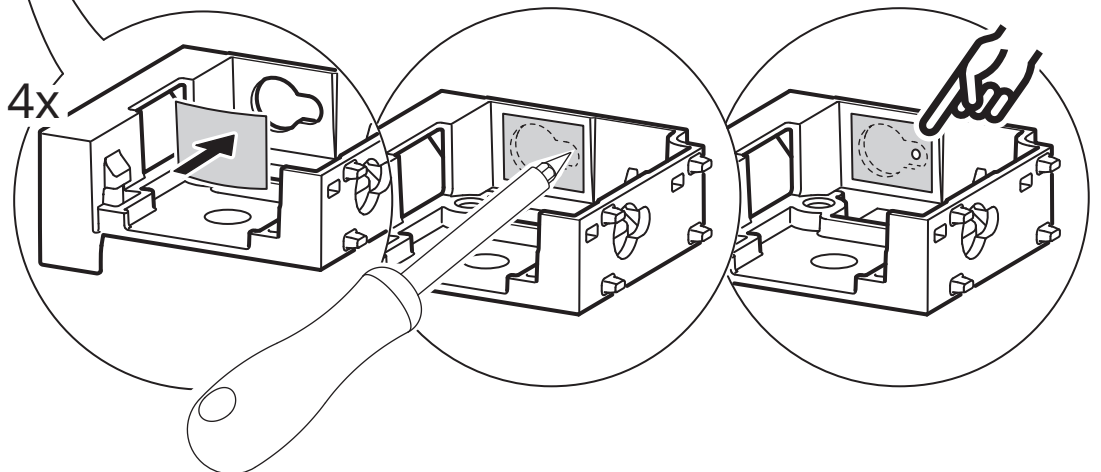
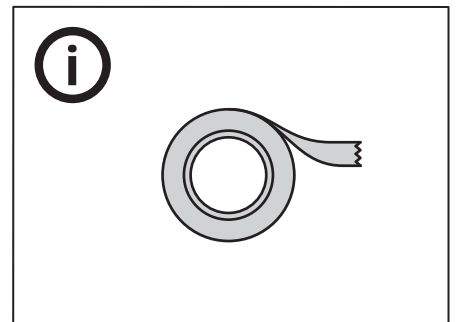
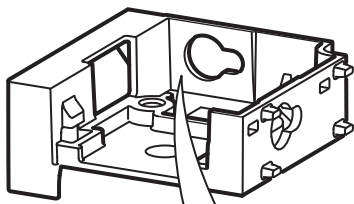
9



10



11



# 12

